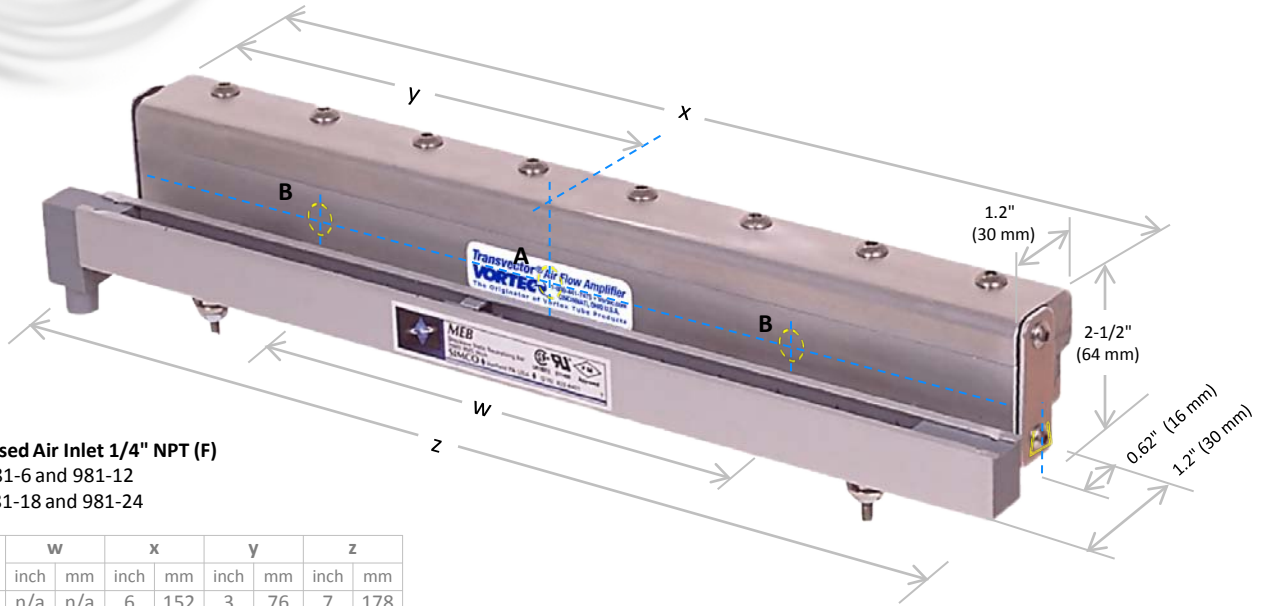


Ionizing Curtain Transvector

Models 981-6, 981-12, 981-18, 981-24



Compressed Air Inlet 1/4" NPT (F)

A - For 981-6 and 981-12
B - For 981-18 and 981-24

| Product | w | | x | | y | | z | |
|---------|------|-----|------|-----|------|-----|------|-----|
| | inch | mm | inch | mm | inch | mm | inch | mm |
| 981-6 | n/a | n/a | 6 | 152 | 3 | 76 | 7 | 178 |
| 981-12 | n/a | n/a | 12 | 305 | 6 | 152 | 13 | 330 |
| 981-18 | 9 | 229 | 18 | 457 | n/a | n/a | 19 | 483 |
| 981-24 | 12 | 305 | 24 | 610 | n/a | n/a | 25 | 635 |

SPECIFICATIONS

| Pressure (PSIG) | Air Consumption (SCFM) (Transvector Length) | | | | | Velocity, ft/min, at distance from outlet | | | Thrust* per in (oz.) |
|-----------------|---------------------------------------------|----|-----|-----|-----|-------------------------------------------|--------|--------|----------------------|
| | 3" | 6" | 12" | 18" | 24" | 2" | 6" | 12" | |
| 60 | 10 | 20 | 40 | 60 | 80 | 17,000 | 9,900 | 6,700 | 2.8 |
| 70 | 12 | 23 | 46 | 69 | 92 | 17,800 | 10,600 | 7,600 | 3.4 |
| 80 | 13 | 26 | 52 | 78 | 104 | 18,600 | 12,200 | 8,400 | 3.9 |
| 90 | 14 | 29 | 57 | 86 | 114 | 19,400 | 13,200 | 9,200 | 4.4 |
| 100 | 16 | 32 | 64 | 95 | 127 | 20,200 | 14,200 | 10,000 | 4.9 |

*At 12" from Curtain Transvector outlet

| Pressure (Bar) | Air Consumption (SLPM) (Transvector Length) | | | | | Velocity, m/s, at distance from outlet | | | Thrust* per cm (g) |
|----------------|---------------------------------------------|-------|-------|-------|-------|----------------------------------------|-------|-------|--------------------|
| | 7.6 cm | 15 cm | 31 cm | 46 cm | 61 cm | 5 cm | 15 cm | 31 cm | |
| 4.1 | 284 | 569 | 1138 | 1707 | 2275 | 86 | 50 | 34 | 31 |
| 4.8 | 325 | 651 | 1302 | 1953 | 2604 | 90 | 54 | 39 | 38 |
| 5.5 | 368 | 736 | 1472 | 2207 | 2943 | 94 | 62 | 43 | 44 |
| 6.2 | 404 | 807 | 1613 | 2420 | 3226 | 99 | 67 | 47 | 49 |
| 6.9 | 450 | 900 | 1800 | 2700 | 3600 | 103 | 72 | 51 | 55 |

*At 30 cm. from Curtain Transvector outlet