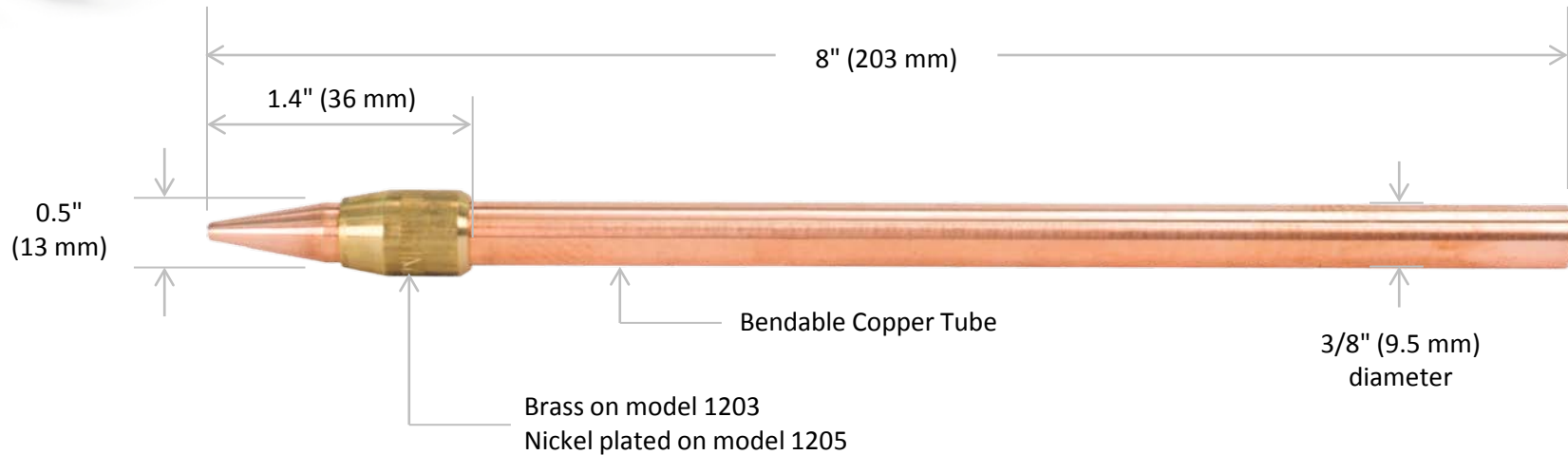


Air Nozzle

Model 1203 and 1205



SPECIFICATIONS

Item No.	Inlet Size	Outside Diameter		Thrust (Power)		Air Consumption		Air Stream Size				Weight	
		inch	mm	Oz at 12"	Gm at 305 mm	SCFM	SLPM	At Nozzle		12" (305 mm) from Nozzle		oz	g
								inch	mm	inch	mm		
1203	3/8"	3/8"	9.5	9	255	13	368	1/4"	6	3-1/4"	82	1.8	49
1205	3/8"	3/8"	9.5	28	794	31	877	1/4"	6	3-1/4"	82	1.8	49

Note: Specifications are for 100 psig (6.9 bar) compressed air.