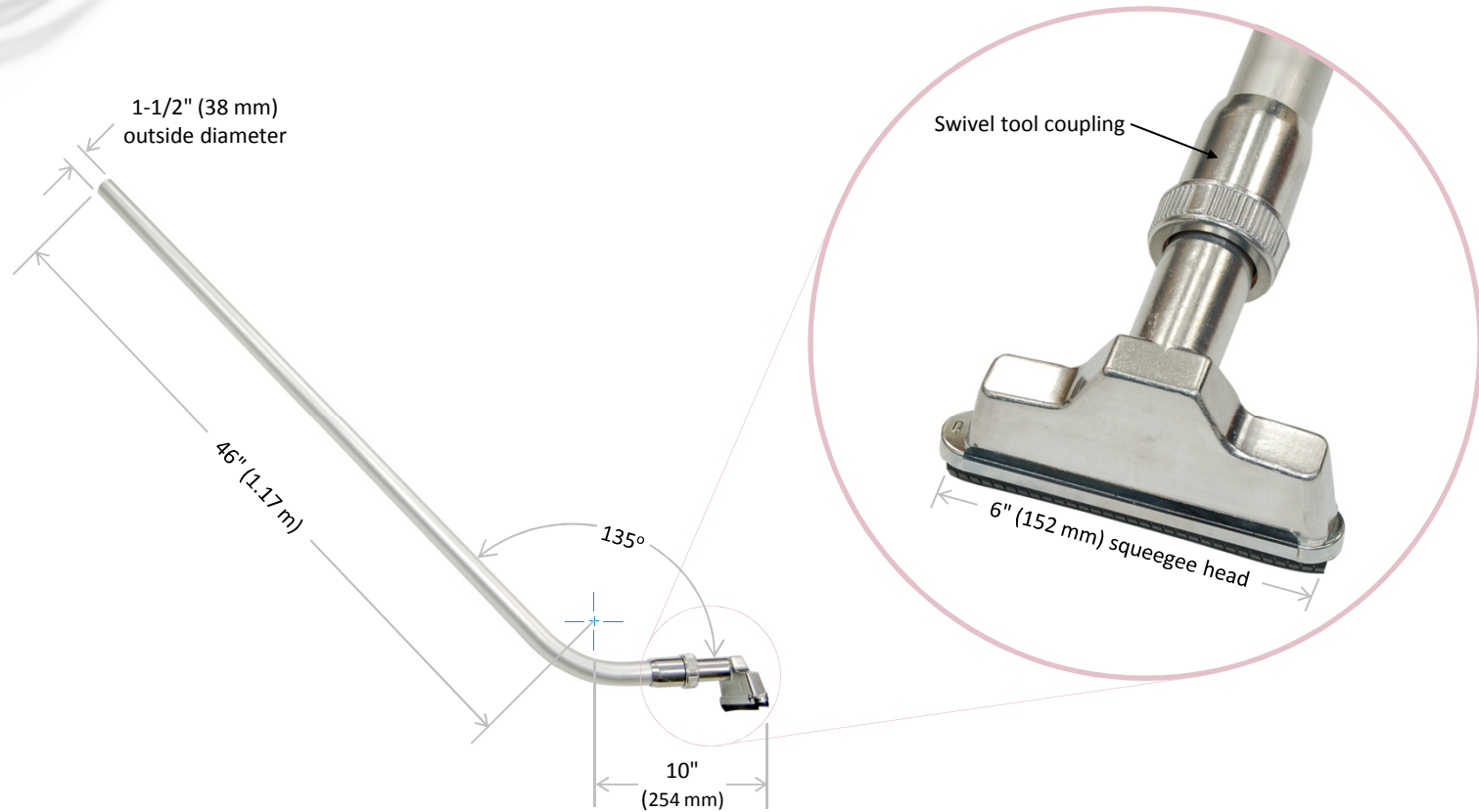


Spill Pick Up System

Model 2102

For use with Dual Force Vac Drum Pump, Model 2109



Aluminum Construction, Thermoplastic Rubber Squeegee Blades